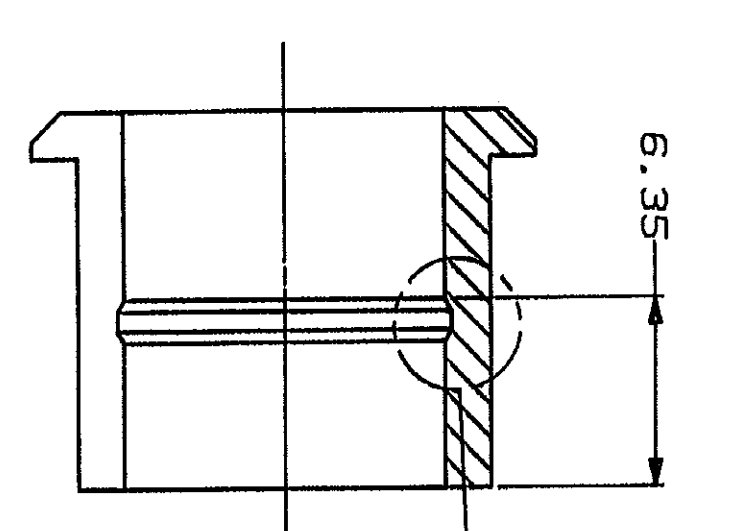
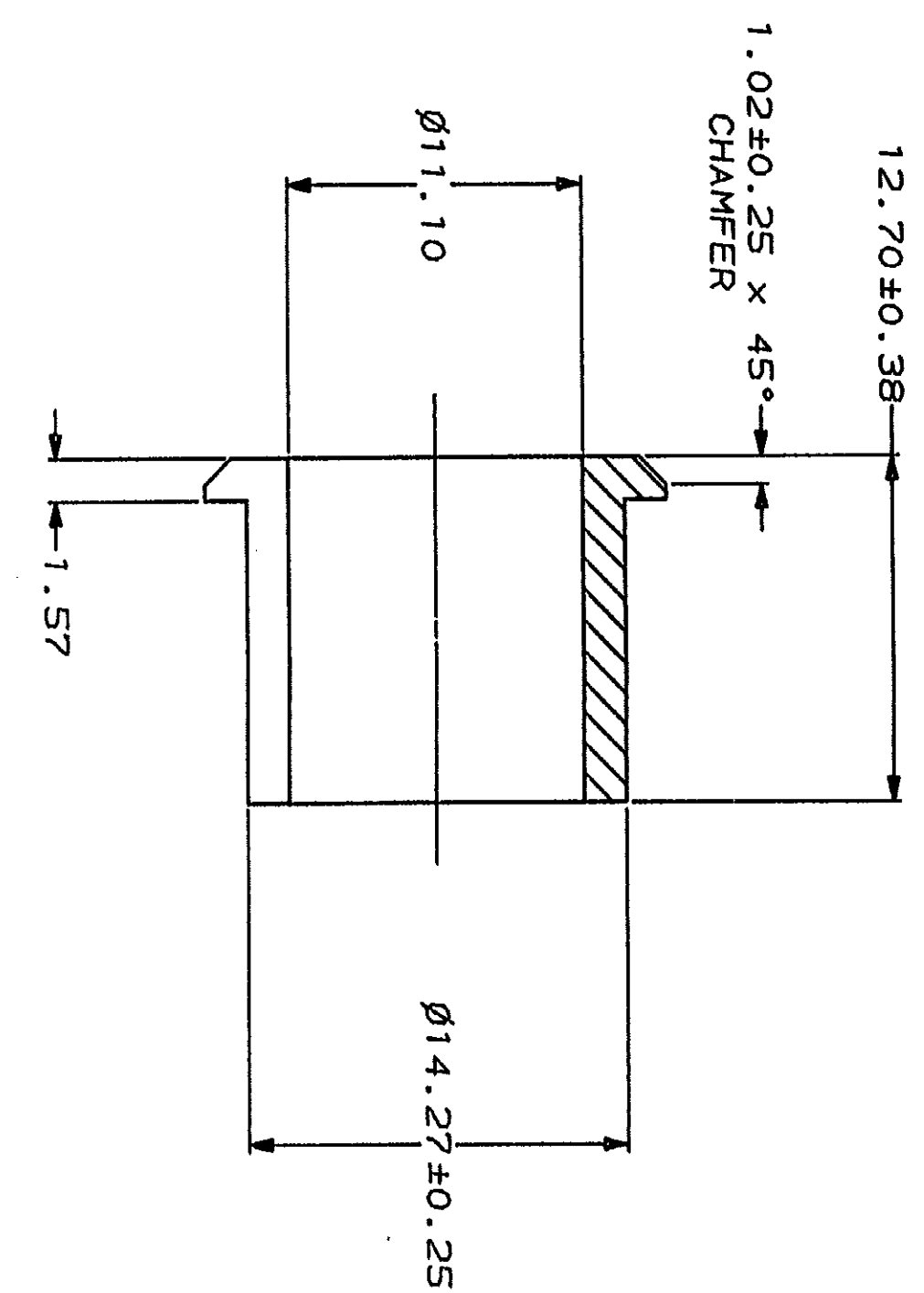
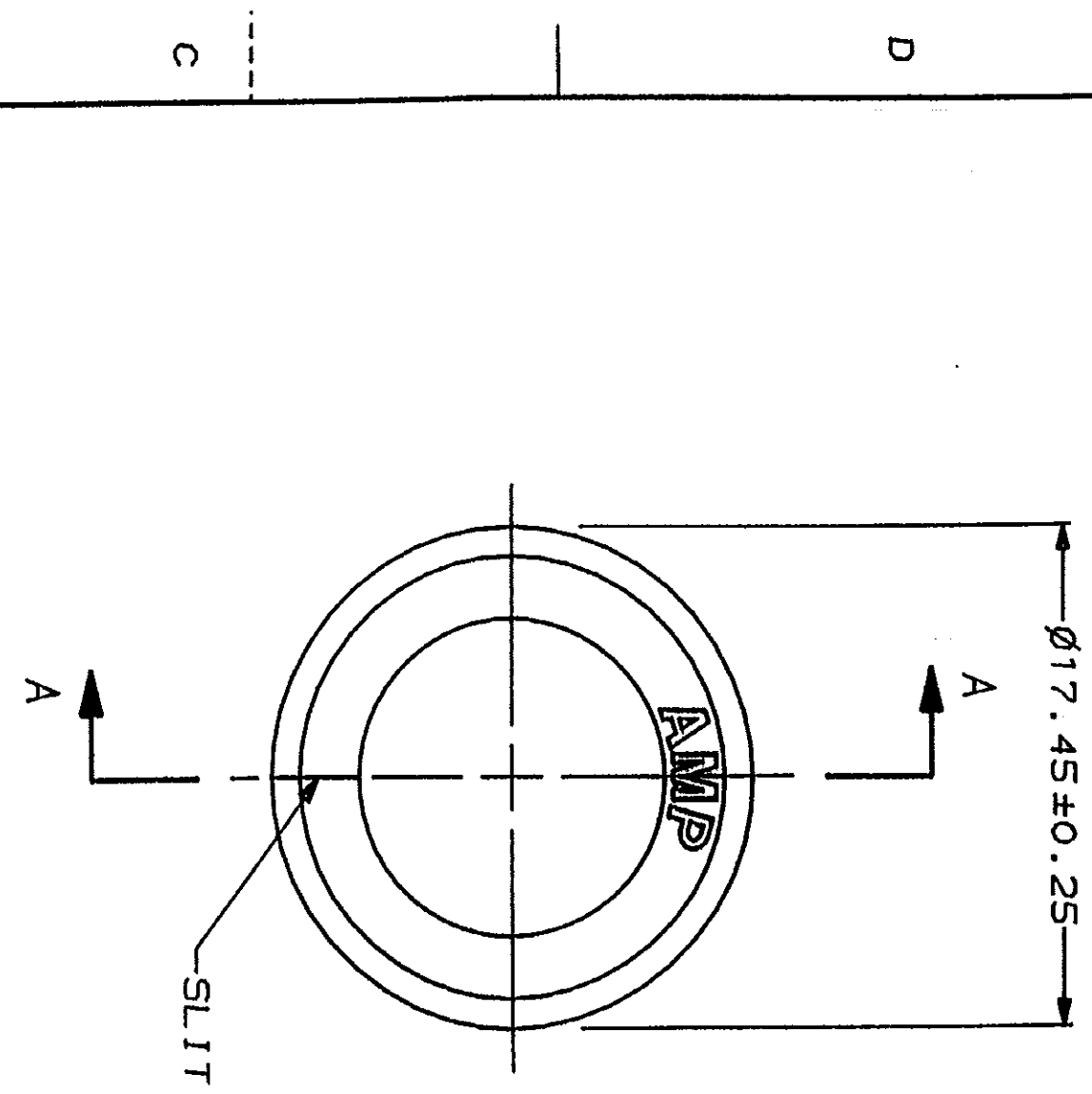
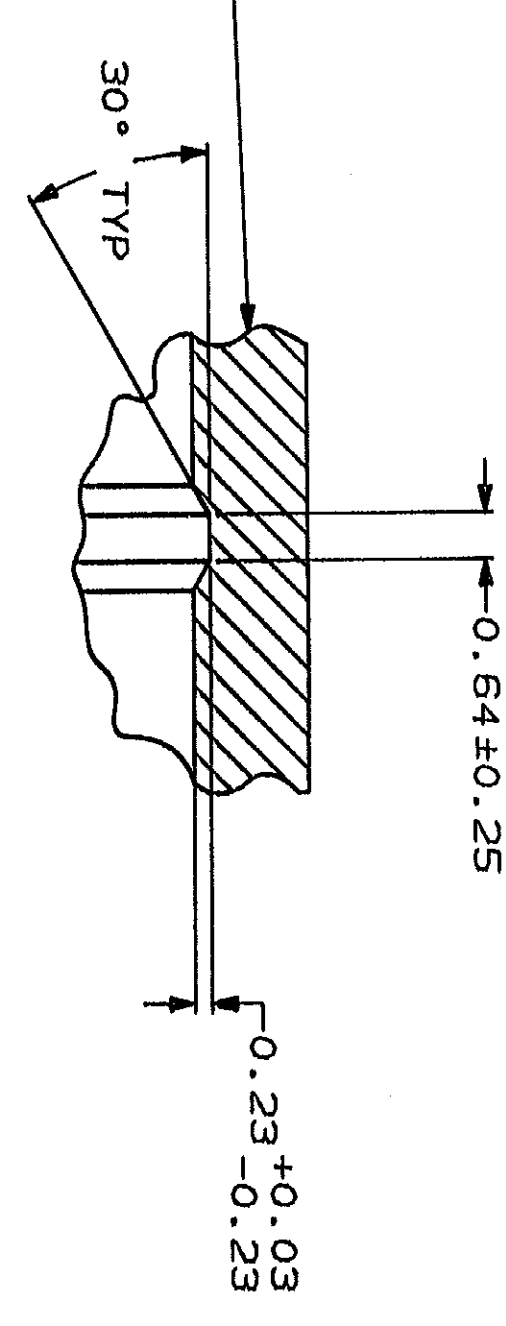


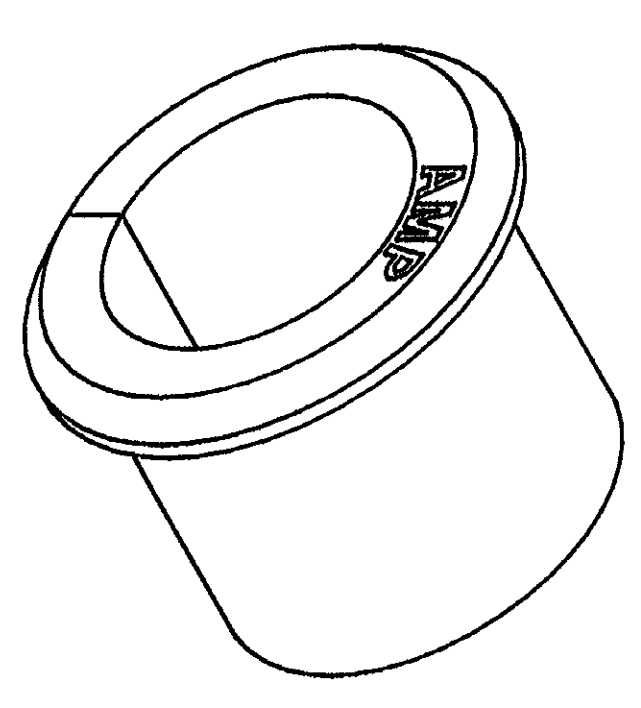
LOC		DIST		REV		REVISIONS		DATE	APPD
CM	53	P	F	ZONE	LTR	DESCRIPTION	DATE	APPD	
		✓		E	REDWN AND REV PER ECN CH-2599		12-6-89	KU	



SECTION A-A
OPTIONAL CONSTRUCTION



SCALE 10:1



3-DIMENSIONAL MODEL
NTS

MM	IN	MM	IN	MM	IN
0.38	.015	11.10	.437	-	-
0.25	.010	6.35	.250	-	-
0.23	.009	1.57	.062	17.45	.687
0.13	.005	1.02	.040	14.27	.562
0.03	.001	0.64	.025	12.70	.500

CONVERSION TABLE



DO NOT SCALE PRINT. UNLESS SPECIFIED DIMENSIONS IN MM (INCHES) TOLERANCES ON: 1. ALL DIMENSIONS ± 0.13 2. PLC DEC ± 0.13 3. PLC DEC ± 1.0° MATERIAL		DR. <i>[Signature]</i> 12-7-89	APPD. <i>[Signature]</i> 12-11-89	NAME
FINISH		CHK. <i>[Signature]</i> 12-8-84	APPD. <i>[Signature]</i> 12-11-89	AMP INCORPORATED Harrisburg, Pa. 17105
APPLIC. SPEC		PRODUCT SPEC	SCALE	GROMMET, SPLIT, M.R.
WEIGHT		SCALE 4:1	CAGE CODE	380935
SCALE 4:1		SIZE C	DRAWING NO.	380935
SCALE 4:1		00779	SHEET	1 OF 1

CUSTOMER DRAWING

3D

380935